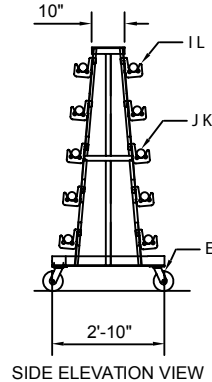
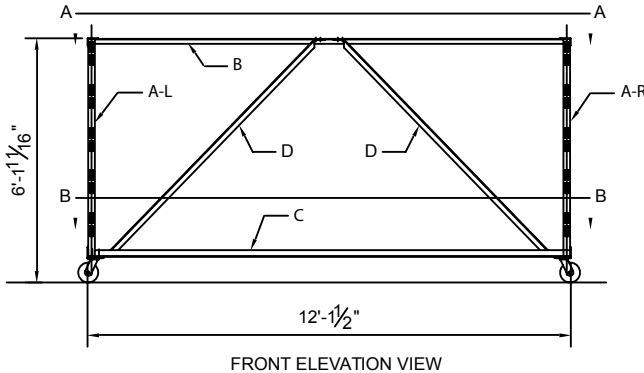
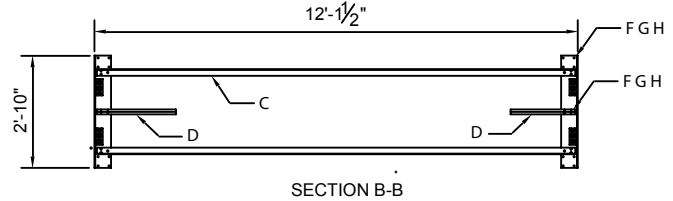
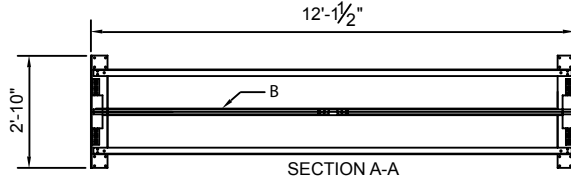


## putterman mobile storage rack system



BILL OF MATERIALS		
PART NO.	DESCRIPTION	QTY
A-R	RIGHT SIDE A-FRAME	1
A-L	LEFT SIDE A-FRAME	1
B	TOP SPAN ANGLE	2
C	BOTTOM SPAN ANGLE	1
D	DIAGONAL BRACE ANGLE	2
E	8" DIA. LOCKING CASTER	4
F	3/8" X 1" Lg. HEX HD. BOLT	40
G	3/8" LOCKWASHER	40
H	3/8" HEX NUT	40
I	12 FT STEEL ROLLER	VARIABLE
J	ROLLER CLIPS (3 PER RL)	VARIABLE
K	ROLLER SADDLE	VARIABLE
L	ROLLER RETENTION ROLLER	VARIABLE