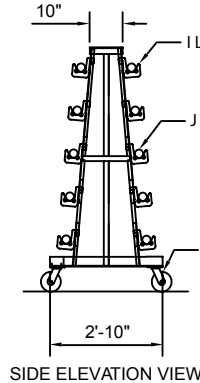
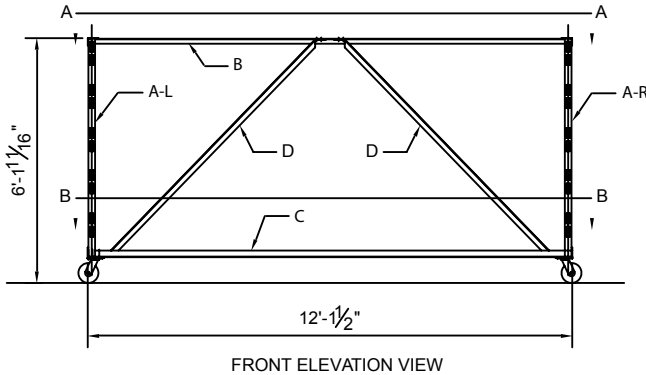
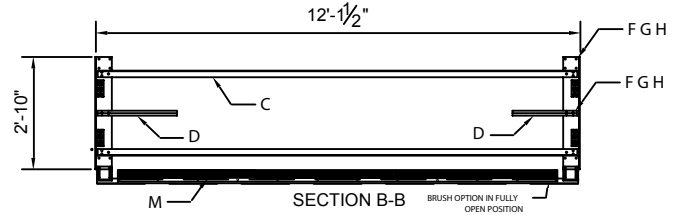
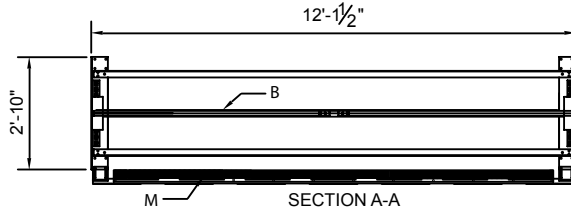


excellence in craftsmanship and performance since 1920



putterman mobile storage rack system with brush attachment



BILL OF MATERIALS		
PART NO.	DESCRIPTION	QTY
A-R	RIGHT SIDE A-FRAME	1
A-L	LEFT SIDE A-FRAME	1
B	TOP SPAN ANGLE	2
C	BOTTOM SPAN ANGLE	1
D	DIAGONAL BRACE ANGLE	2
E	8" DIA. LOCKING CASTER	4
F	3/8" X 1" Lg. HEX HD. BOLT	40
G	3/8" LOCKWASHER	40
H	3/8" HEAX NUT	40
I	12 FT STEEL ROLLER	VARIES
J	ROLLER CLIPS (3 PER RL)	VARIES
K	ROLLER SADDLE	VARIES
L	ROLLER RETENTION BOL	VARIES
M	BRUSH ATTACHMENT	1

† 773-927-4120
f 773-650-6046

info@puttermanathletics.com
www.puttermanathletics.com
toll-free 800-621-0146

4834 s oakley ave
chicago, il 60609